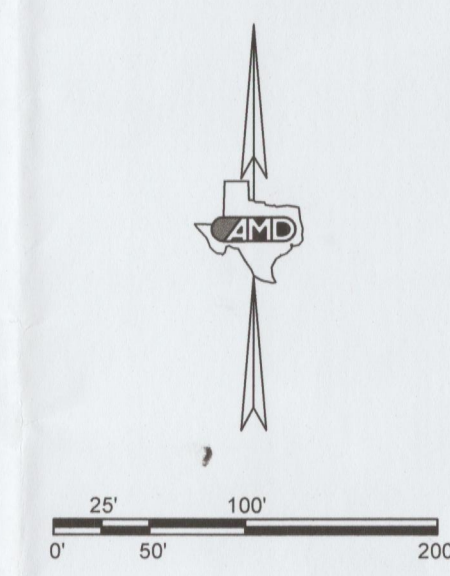


2140.02  
2022003894

**BURGAMY PARK,**  
LOTS 130 THROUGH 177,  
AN ADDITION TO THE CITY OF LUBBOCK,  
LUBBOCK COUNTY, TEXAS



VICINITY MAP  
NOT TO SCALE

- NOTES:  
SCALE 1" = 100'
- HEAVY LINES INDICATE PLAT LIMITS.
  - ALL STREETS, ALLEYS, AND EASEMENTS WITHIN PLAT LIMITS ARE HEREIN DEDICATED, UNLESS NOTED OTHERWISE.
  - NO BUILDING PERMIT SHALL BE ISSUED ON ANY SURVEY CERTIFICATE THAT IS NOT IN ACCORDANCE WITH AN APPROVED FINAL PLAT UNLESS AN EXCEPTION IS PROVIDED BY THE PLANNING AND ZONING COMMISSION POLICY OR BY THE LUBBOCK CODE OF ORDINANCES.
  - ALL UTILITY SERVICE SHALL BE IN ACCORDANCE WITH THE "UNDERGROUND UTILITIES POLICY" STATEMENT BY THE PLANNING AND ZONING COMMISSION OF THE CITY OF LUBBOCK, TEXAS AND THE PROVISIONS OF SECTION 36.09.095 OF THE LUBBOCK CODE OF ORDINANCES.
  - ANY RELOCATION OR REVISION OF EXISTING FACILITIES SHALL BE THE SUBDIVIDER'S EXPENSE. COMPENSATION SHALL BE MADE PRIOR TO RECORDING OF THIS FINAL PLAT.
  - ALL EXISTING OR PROPOSED UTILITY SERVICES TO AND ON TRACTS INDICATED BY THIS PLAT SHALL BE CONTAINED IN THE PUBLIC RIGHT-OF-WAY AND PUBLIC OR PRIVATE UTILITY EASEMENTS. UTILITY SERVICE INSTALLATION REQUESTED AT A FUTURE DATE AND NOT WITHIN AN EASEMENT INDICATED BY THIS PLAT, SHALL BE WITHIN A PROPER UTILITY EASEMENT GRANTED BY THE OWNER OF SAID PROPERTY BY SEPARATE RECORDED INSTRUMENT PRIOR TO THE PROVISION OF SUCH SERVICE. SUCH EASEMENTS SHALL BE AT THE EXPENSE OF THE ENTITY REQUESTING SUCH INSTALLATION.
  - ALL EASEMENTS HEREIN GRANTED SHALL ENTITLE THE CITY OR THE UTILITY COMPANY USING SUCH EASEMENTS TO THE RIGHT TO REMOVE, REPAIR OR REPLACE ANY LINES, PIPES, CONDUITS, OR POLES WITHIN SUCH EASEMENTS AS MAY BE DETERMINED BY THE CITY OR UTILITY COMPANY WITHOUT THE CITY OR UTILITY COMPANY BEING RESPONSIBLE OR LIABLE FOR THE REPLACEMENT OF IMPROVEMENTS, PAVING OR SURFACING OF THE EASEMENT NECESSITATED BY SUCH REPAIR, REMOVAL, OR REPLACEMENT. EASEMENTS DESIGNATED OR INTENDED FOR VEHICULAR PASSAGE (UTILITY AND EMERGENCY) OR PEDESTRIAN ACCESS SHALL NOT BE FENCED OR OTHERWISE OBSTRUCTED.
  - ANY EASEMENTS OR RIGHTS-OF-WAY SHOWN AS "TO BE DEDICATED BY SEPARATE INSTRUMENT" ARE SHOWN ON THIS PLAT FOR INFORMATION PURPOSES ONLY. THIS PLAT DOES NOT DEDICATE SAID EASEMENTS.
  - MINIMUM FLOOR ELEVATIONS SHALL CONFORM TO THE REQUIREMENTS OF THE LUBBOCK DRAINAGE CRITERIA MANUAL, AS ADOPTED BY ORDINANCE 10022, AS AMENDED, AND SECTION 28.09.131, SECTION 28.14.004 AND SECTION 30.03.073 OF THE LUBBOCK CODE OF ORDINANCES.
  - IN ORDER TO PREVENT DAMAGE TO PUBLIC AND PRIVATE UTILITIES AND TO MINIMIZE AND OR ELIMINATE INTERRUPTION OF UTILITY SERVICES, THE CITY OF LUBBOCK SOLID WASTE SERVICES DEPARTMENT REQUESTS THAT NO UTILITY RISERS, METER BASES, PEDESTALS, ETC., PUBLIC OR PRIVATE, BE PLACED IN THE CHAMFERED CORNERS OF ALLEYWAYS.
- DRE = DRAINAGE EASEMENT  
LPL = LUBBOCK POWER & LIGHT  
R-O-W = RIGHT-OF-WAY  
SPEC = SOUTH PLAINS ELECTRIC COOPERATIVE  
TPE = 4' X 6' (MINIMUM) TRANSFORMER PAD EASEMENT (HEREIN GRANTED TO SPEC), INDICATED BY SYMBOL ☒  
USE = UNDERGROUND STREET LIGHT CABLE EASEMENT (HEREIN GRANTED TO LPL)  
UUE = UNDERGROUND UTILITY EASEMENT  
CM = CONTROLLING MONUMENT  
CCFM = COUNTY CLERK'S FILE NUMBER  
PMRD = PHYSICAL MONUMENT OF RECORD DIGNITY  
ALL CORNERS MONUMENTED WITH 1/2" IRON ROD WITH CAP MARKED "AMD ENGINEERING", UNLESS OTHERWISE SPECIFIED.  
BEARINGS ARE GRID BEARINGS RELATIVE TO THE TEXAS COORDINATE SYSTEM OF 1983, TEXAS NORTH CENTRAL ZONE.  
COORDINATES SHOWN HEREON ARE BASED ON THE TEXAS COORDINATE SYSTEM OF 1983, TEXAS NORTH CENTRAL ZONE.  
DISTANCES AS SHOWN HEREON ARE AT SURFACE, IN U.S. SURVEY FEET.  
THESE PLAT LIMITS CONTAIN 9.6947 ACRES OF LAND.  
DESCRIPTION OF THESE PLAT LIMITS ARE ON A SEPARATE DOCUMENT, OF SAME DATE HEREWITH.

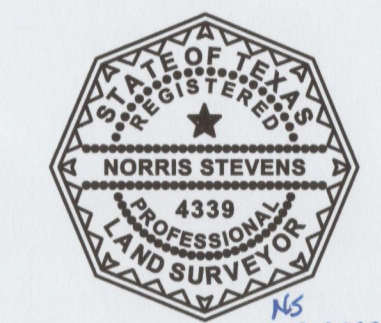
APPROVED THIS 1<sup>st</sup> DAY OF July, 2021  
BY THE PLANNING AND ZONING COMMISSION OF THE CITY OF LUBBOCK, TEXAS.

*[Signature]*  
CHAIRMAN

*[Signature]*  
DIRECTOR OF PLANNING

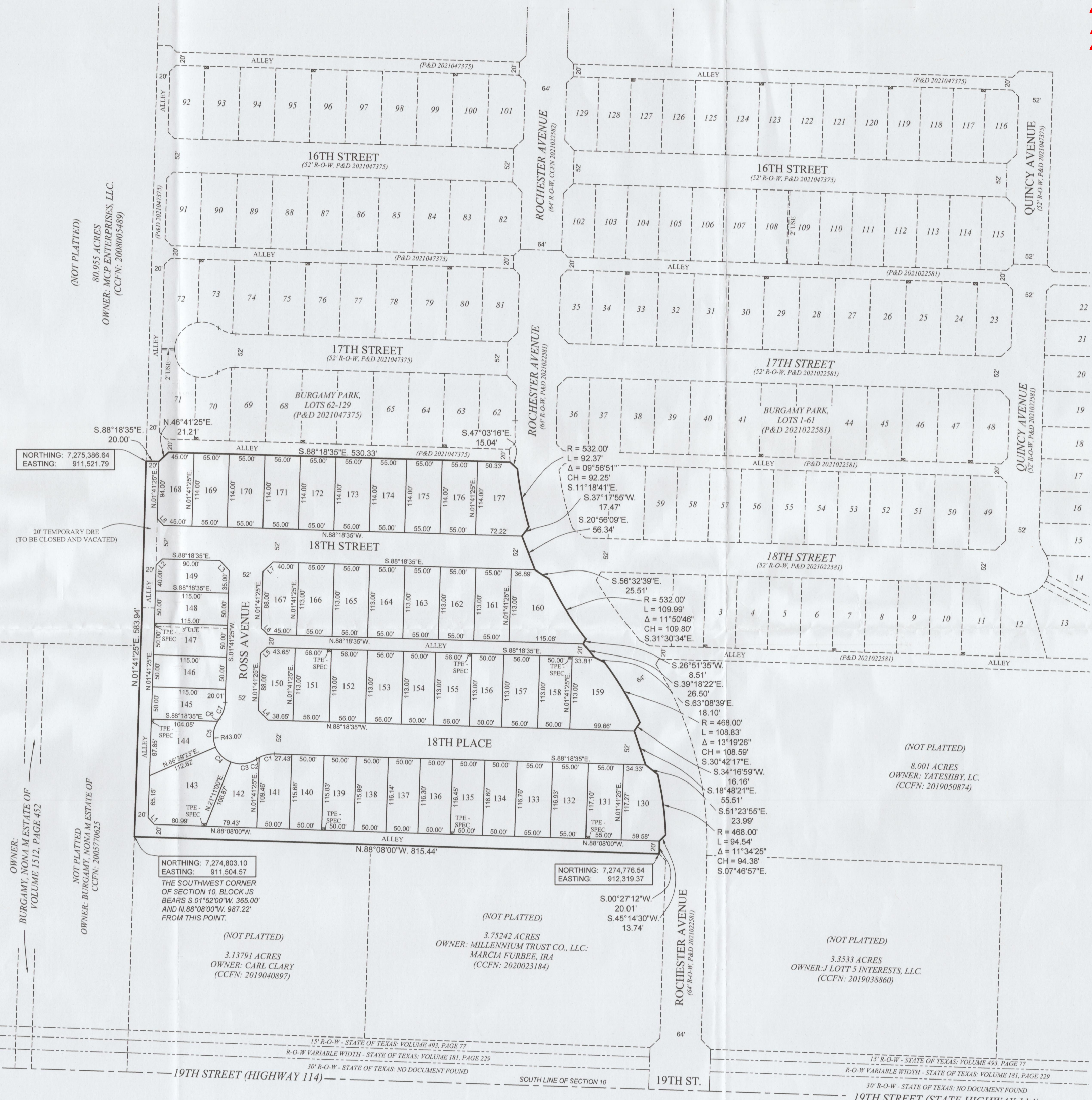
KNOW ALL MEN BY THESE PRESENTS:  
THAT I, NORRIS STEVENS, REGISTERED PROFESSIONAL LAND SURVEYOR, DO HEREBY CERTIFY THAT I PREPARED THIS PLAT FROM AN ACTUAL AND ACCURATE SURVEY OF THE LAND AND THAT THE CORNER MONUMENTS AND/OR OTHER CONTROL SHOWN THEREON WERE PROPERLY PLACED UNDER MY PERSONAL SUPERVISION, IN ACCORDANCE WITH THE SUBDIVISION REGULATIONS OF THE CITY OF LUBBOCK, TEXAS.

*[Signature]*  
REGISTERED PROFESSIONAL LAND SURVEYOR # 4339  
LUBBOCK, TEXAS



**AMD**  
CIVIL ENGINEERING  
LAND SURVEYING  
AMD Engineering, LLC  
6515 68th Street, Suite 300  
Lubbock, TX 79424  
Phone: 806-771-5976  
Fax: 806-771-7625  
TBPELS Reg. # 10178500  
Accuracy - Efficiency - Integrity

LINE	BEARING	DISTANCE	CURVE	RADIUS	ARC LENGTH	DELTA ANGLE	CHORD LENGTH	CHORD BEARING
L1	N.43°13'17"W.	14.16'	C1	45.00'	23.64'	30°06'11"	23.37'	N.76°38'20"E.
L2	N.46°41'25"E.	14.14'	C2	45.00'	4.80'	6°06'39"	4.80'	N.58°31'55"E.
L3	S.43°18'35"E.	21.21'	C3	43.00'	41.81'	55°42'25"	40.18'	N.83°19'48"E.
L4	N.43°18'35"W.	21.21'	C4	43.00'	34.13'	45°28'22"	33.24'	S.46°04'40"E.
L5	N.46°41'25"E.	14.14'	C5	43.00'	41.88'	55°48'23"	40.25'	S.04°33'34"W.
L6	N.43°18'35"W.	14.14'	C6	43.00'	4.08'	5°26'29"	4.08'	S.35°11'00"W.
L7	N.46°41'25"E.	21.21'	C7	45.00'	28.44'	36°12'50"	27.97'	S.19°47'50"W.
L8	N.43°18'35"W.	14.14'						



EAST LINE OF SECTION 10  
UPLAND AVENUE

NOT PLATTED  
OWNER: BURGAMY, NONA M. ESTATE OF  
CCFN: 2012026349

OWNER: BURGAMY, NONA M. ESTATE OF  
VOLUME 1512, PAGE 452

NOT PLATTED  
OWNER: BURGAMY, NONA M. ESTATE OF  
CCFN: 2005770625

NOT PLATTED  
OWNER: MILLENNIUM TRUST CO., LLC.  
MARCIA FURBEE, IRA  
CCFN: 2020023184

NOT PLATTED  
OWNER: YATESBURY, L.C.  
CCFN: 2019050874

NOT PLATTED  
OWNER: LOTTS 5 INTERESTS, L.L.C.  
CCFN: 2019038860

NOT PLATTED  
OWNER: CARL CLARY  
CCFN: 2019040897

3.13791 ACRES  
OWNER: CARL CLARY  
CCFN: 2019040897

3.75242 ACRES  
OWNER: MILLENNIUM TRUST CO., LLC.  
MARCIA FURBEE, IRA  
CCFN: 2020023184

3.35333 ACRES  
OWNER: LOTTS 5 INTERESTS, L.L.C.  
CCFN: 2019038860

8.001 ACRES  
OWNER: YATESBURY, L.C.  
CCFN: 2019050874

THE SOUTHWEST CORNER OF SECTION 10, BLOCK JS BEARS S.01°52'00"W. 365.00' AND N.88°08'00"W. 987.22' FROM THIS POINT.

NORTHING: 7,274,803.10  
EASTING: 911,504.57

NORTHING: 7,274,776.54  
EASTING: 912,319.37

NORTHING: 7,275,306.64  
EASTING: 911,921.79

20' TEMPORARY DRE (TO BE CLOSED AND VACATED)

15' R-O-W - STATE OF TEXAS, VOLUME 693, PAGE 77  
R-O-W VARIABLE WIDTH - STATE OF TEXAS, VOLUME 181, PAGE 229  
30' R-O-W - STATE OF TEXAS, NO DOCUMENT FOUND

15' R-O-W - STATE OF TEXAS, VOLUME 693, PAGE 77  
R-O-W VARIABLE WIDTH - STATE OF TEXAS, VOLUME 181, PAGE 229  
30' R-O-W - STATE OF TEXAS, NO DOCUMENT FOUND

15' R-O-W - STATE OF TEXAS, VOLUME 693, PAGE 77  
R-O-W VARIABLE WIDTH - STATE OF TEXAS, VOLUME 181, PAGE 229  
30' R-O-W - STATE OF TEXAS, NO DOCUMENT FOUND

15' R-O-W - STATE OF TEXAS, VOLUME 693, PAGE 77  
R-O-W VARIABLE WIDTH - STATE OF TEXAS, VOLUME 181, PAGE 229  
30' R-O-W - STATE OF TEXAS, NO DOCUMENT FOUND